

PRINCIPAL PARTICULARS

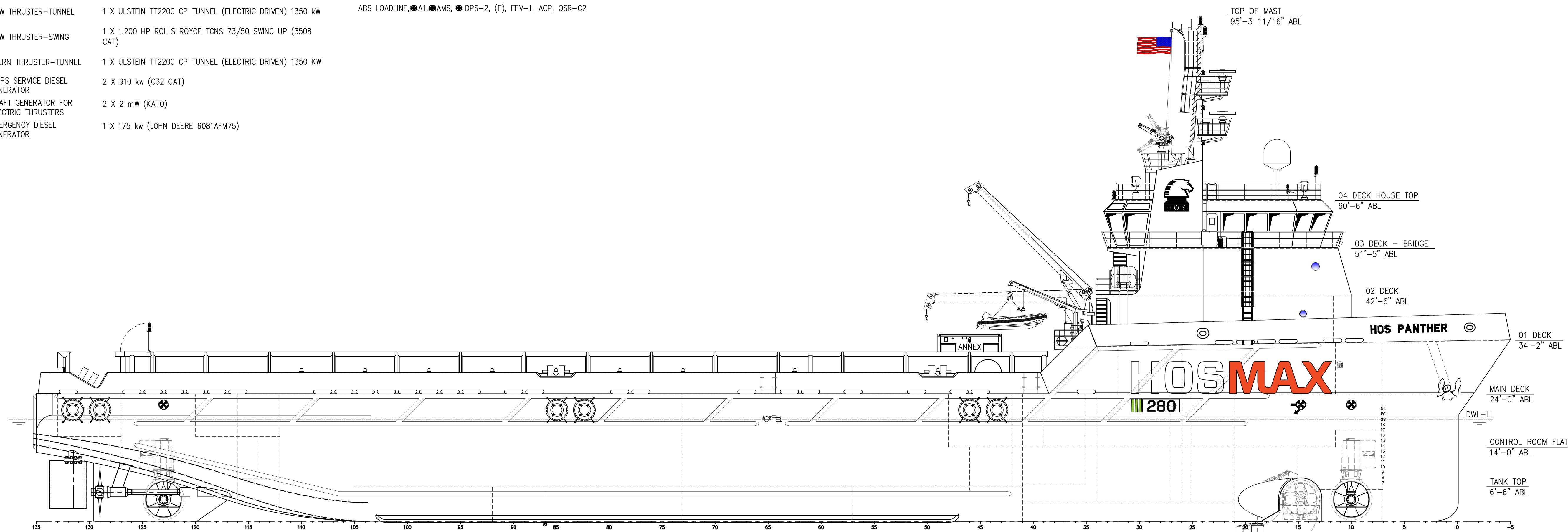
LOA	280'-0" (85.34m)
BREADTH	60'-0" (18.29m)
DEPTH	24'-0" (7.32m)
DRAFT (LOADLINE)	19'-3" (5.87m)
CLEAR DECK CARGO SPACE	167.75' X 50.5' (51.1m X 15.40m)
CLEAR DECK CARGO AREA	8,471 ft ² (786.9 m ²)
CARGO DECK RATING	1,200 lb/ft ² (6 MT/m ²)
MAIN PROPULSION	(2) X C280-8 CATERPILLAR, 3,600 BHP @ 1,000 RPM EACH
BOW THRUSTER-TUNNEL	1 X ULSTEIN TT2200 CP TUNNEL (ELECTRIC DRIVEN) 1350 kW
BOW THRUSTER-SWING	1 X 1,200 HP ROLLS ROYCE TCNS 73/50 SWING UP (3508 CAT)
STERN THRUSTER-TUNNEL	1 X ULSTEIN TT2200 CP TUNNEL (ELECTRIC DRIVEN) 1350 kW
SHIPS SERVICE DIESEL GENERATOR	2 X 910 kw (C32 CAT)
SHAFT GENERATOR FOR ELECTRIC THRUSTERS	2 X 2 mw (KATO)
EMERGENCY DIESEL GENERATOR	1 X 175 kw (JOHN DEERE 6081AFM75)

ACCOMMODATIONS

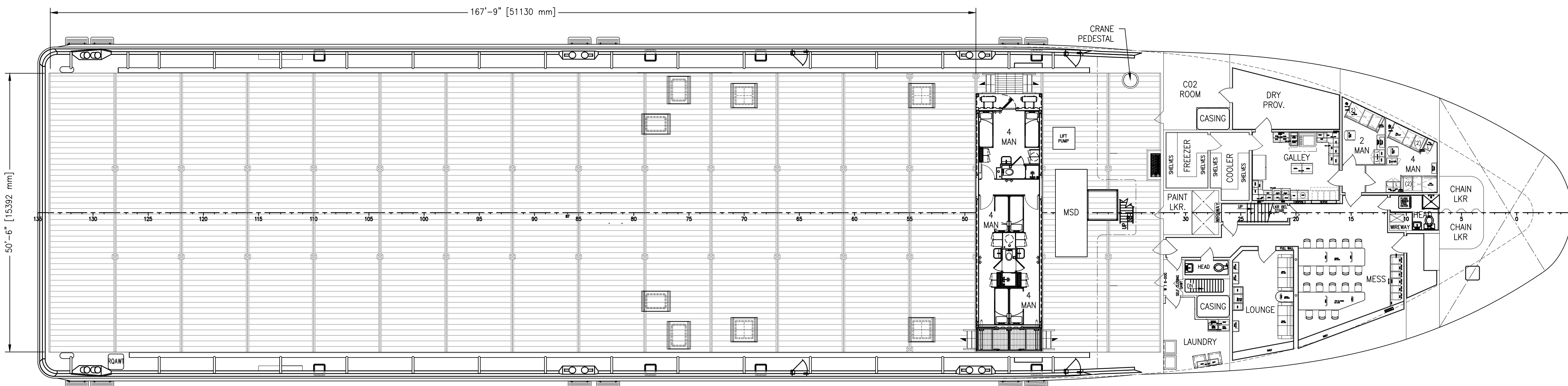
2P CREW STATEROOMS	8
4P CREW STATEROOMS	6 (INC. 3 S/R IN PAM)
1P CREW STATEROOMS	1
TOTAL BERTHING:	41 (INC. 12 BERTHS IN PAM)

REGULATORY

SOLAS 2002, MARPOL 99, USCG SUBCHAPTER L, USCG MINIMALLY MANNED ENGINE ROOM, USCG OIL RECOVERY VESSEL AUTHORIZATION (20% DWT)
 ABS LOADLINE, A1, AMS, DPS-2, (E), FFV-1, ACP, OSR-C2

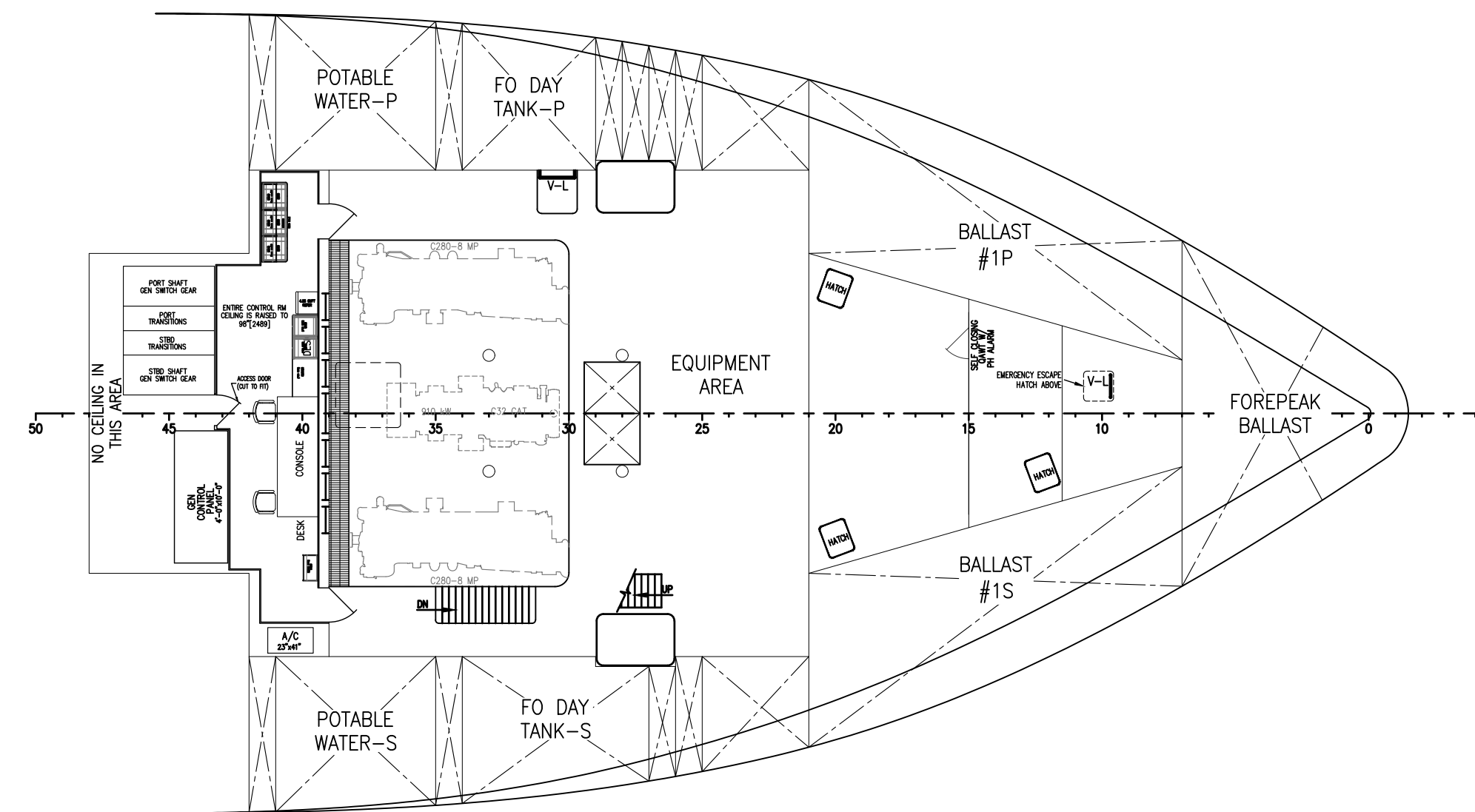


OUTBOARD PROFILE
 STBD SIDE SHOWN, LKG PORT

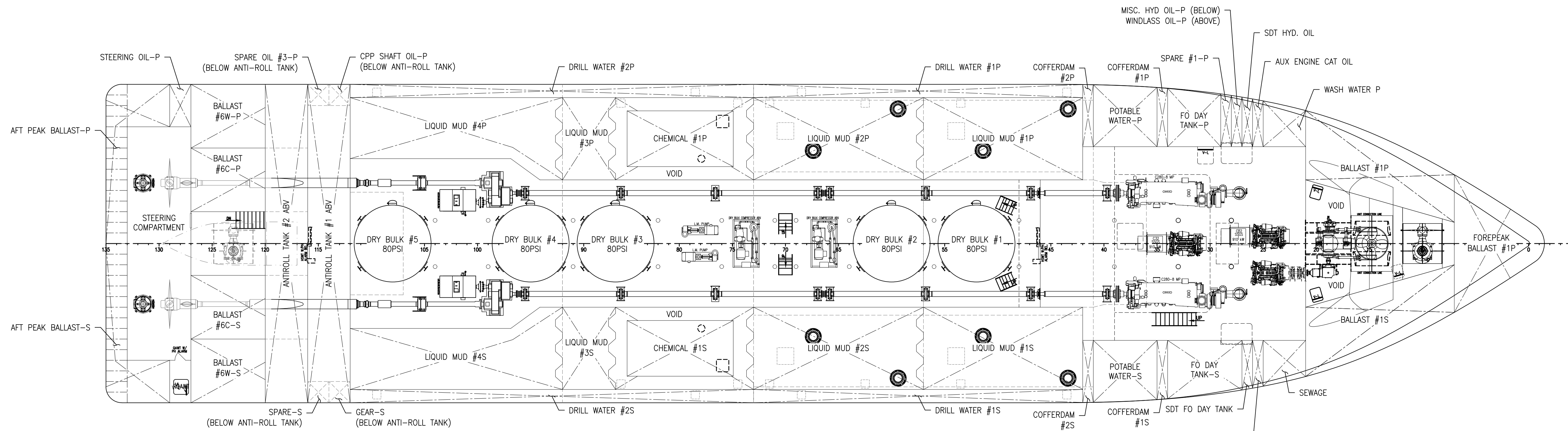


MAIN DECK PLAN
 24'-0" ABL

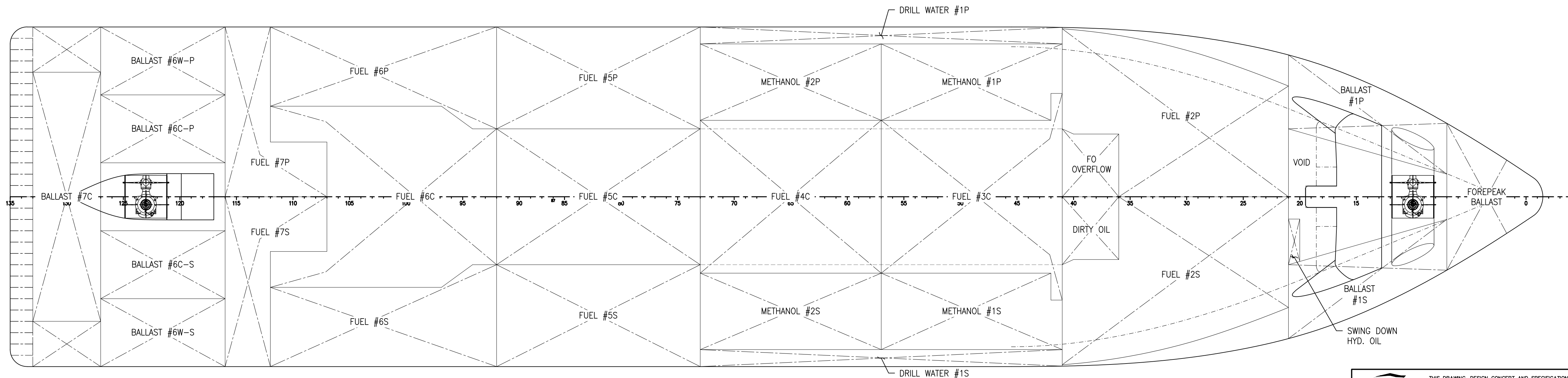
HOSMAX 280 / HOS PANTHER			
<small>THIS DRAWING, DESIGN CONCEPT AND SPECIFICATIONS ARE THE PROPERTY OF HORNBECK OFFSHORE SERVICES AND ARE FURNISHED ON A CONFIDENTIAL BASIS WITH AN EXPRESSED UNDERSTANDING THAT THEY WILL NOT BE COPIED IN ANY MANNER USED FOR MANUFACTURE, SOLD, TRANSFERRED, NOR USED TO THE DETRIMENT OF SAOS FROM WITHOUT WRITTEN PERMISSION. 1008 ©</small>			
HORNBECK OFFSHORE SERVICES			
DRAWN BY: C. SULLIVAN	280'-0" X 60'-0" X 24'-0"		SIZE D
CHECKED BY: M. STANSBURY	OUTBOARD PROFILE & GENERAL ARRANGEMENT		REV. 3
APPROVED BY: J. GUIDRY	TASK No. 8122	DRAWING No. 1.001	SCALE: 3/32" = 1'-0" DATE: 06/18/24 SHEET 1 OF 3
HULL No. 253		SY: NAS	REV. 3
<small>LAST SAVE/PRINT: 9/18/2024 3:40 PM ENG: KMC/HUGH SHEET: ANSI D 22X34</small>			



CONTROL ROOM FLAT PLAN
14'-0" ABL

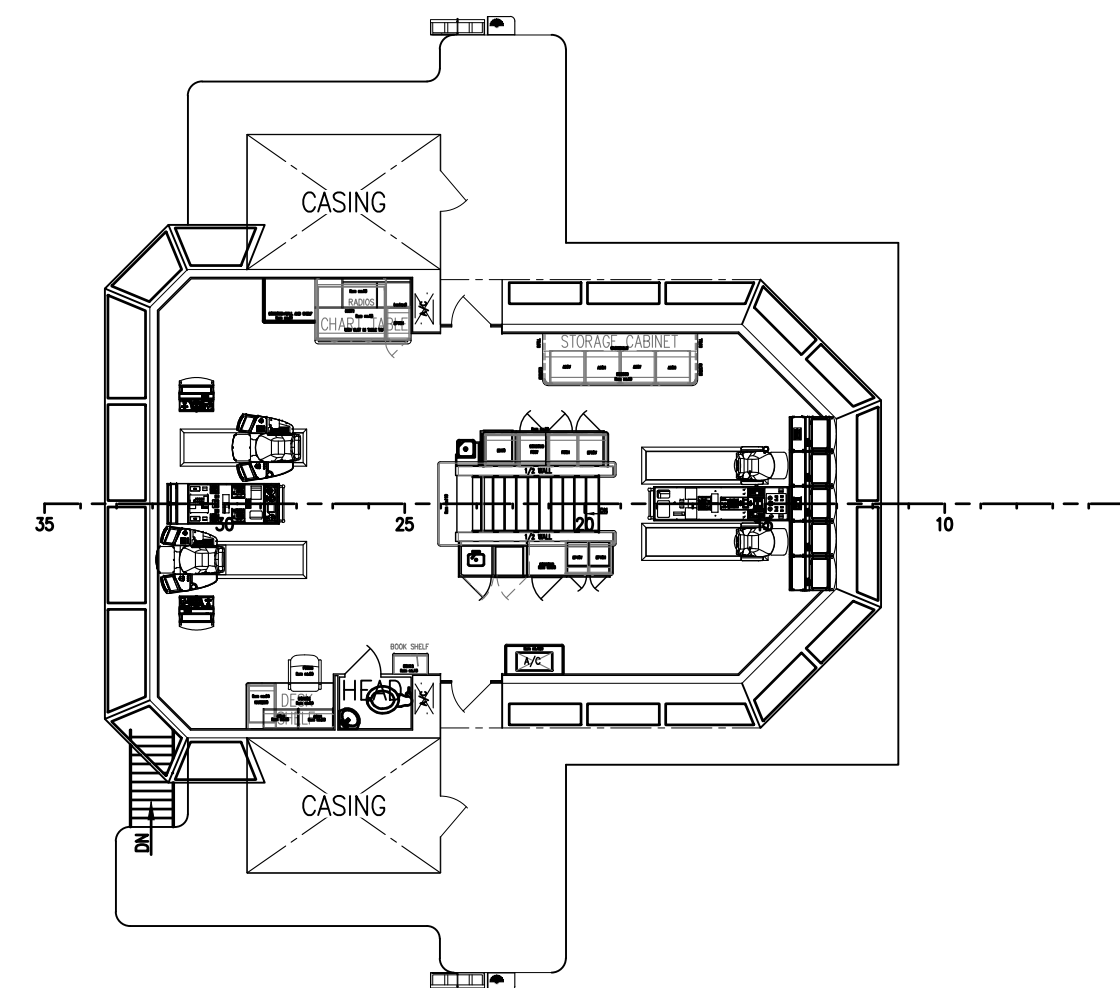


TANK TOP PLAN

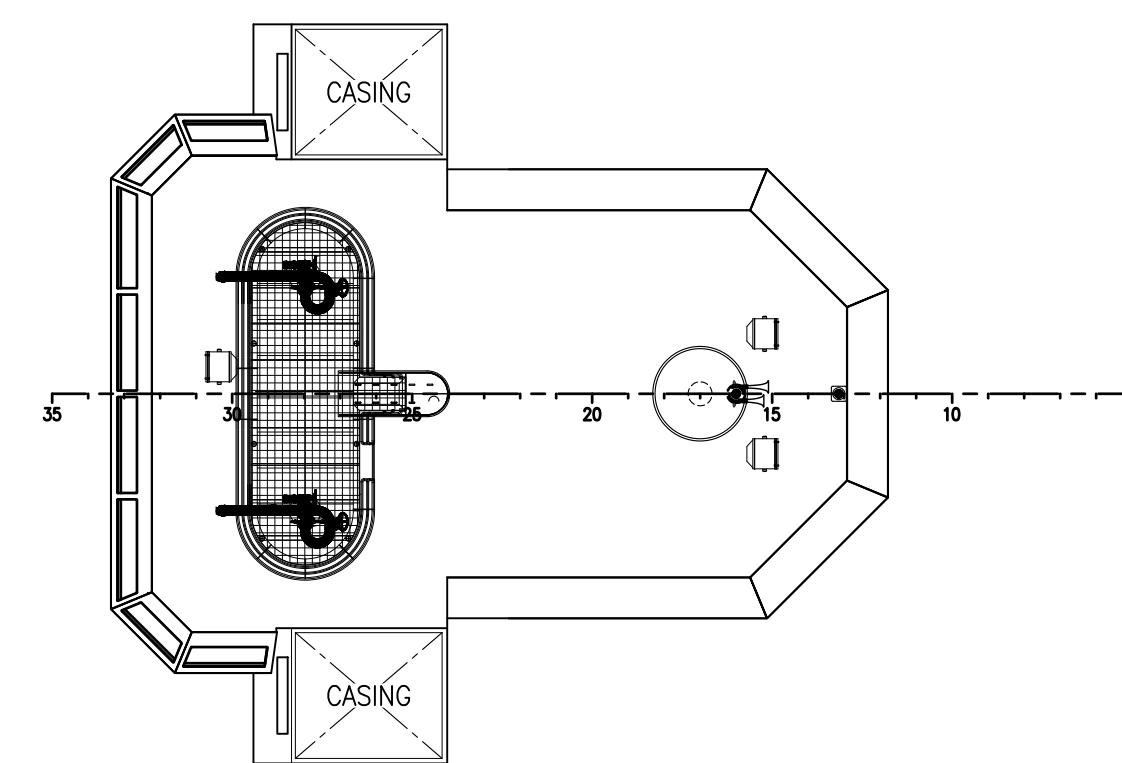


BELOW TANK TOP PLAN

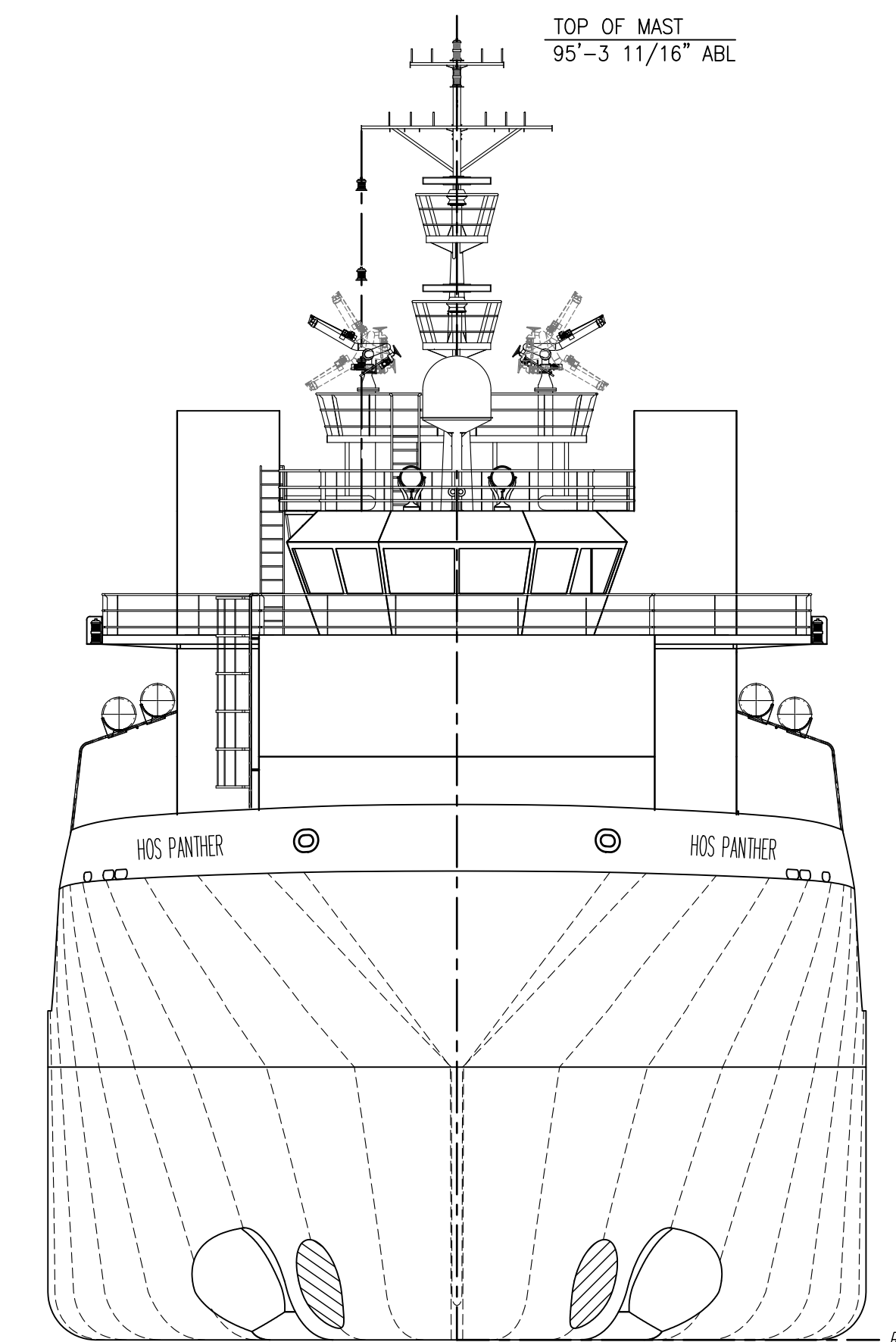
	THIS DRAWING, DESIGN CONCEPT AND SPECIFICATIONS ARE THE PROPERTY OF HORNBECK OFFSHORE SERVICES AND ARE FURNISHED ON A CONFIDENTIAL BASIS WITH AN EXPRESSED UNDERSTANDING THAT THEY WILL NOT BE COPIED IN ANY MANNER, USED FOR MANUFACTURE, SOLD, TRANSFERRED, NOR USED TO THE DETRIMENT OF SAID FIRM WITHOUT WRITTEN PERMISSION.			SIZE D
	OUTBOARD PROFILE & GENERAL ARRANGEMENT			REV. 3
	TASK No. 8122 HULL No. 253	DRAWING No. 1.001 SY: NAS	SCALE: 3/32" = 1'-0" DATE: 06/18/24 SHEET 2 OF 3	



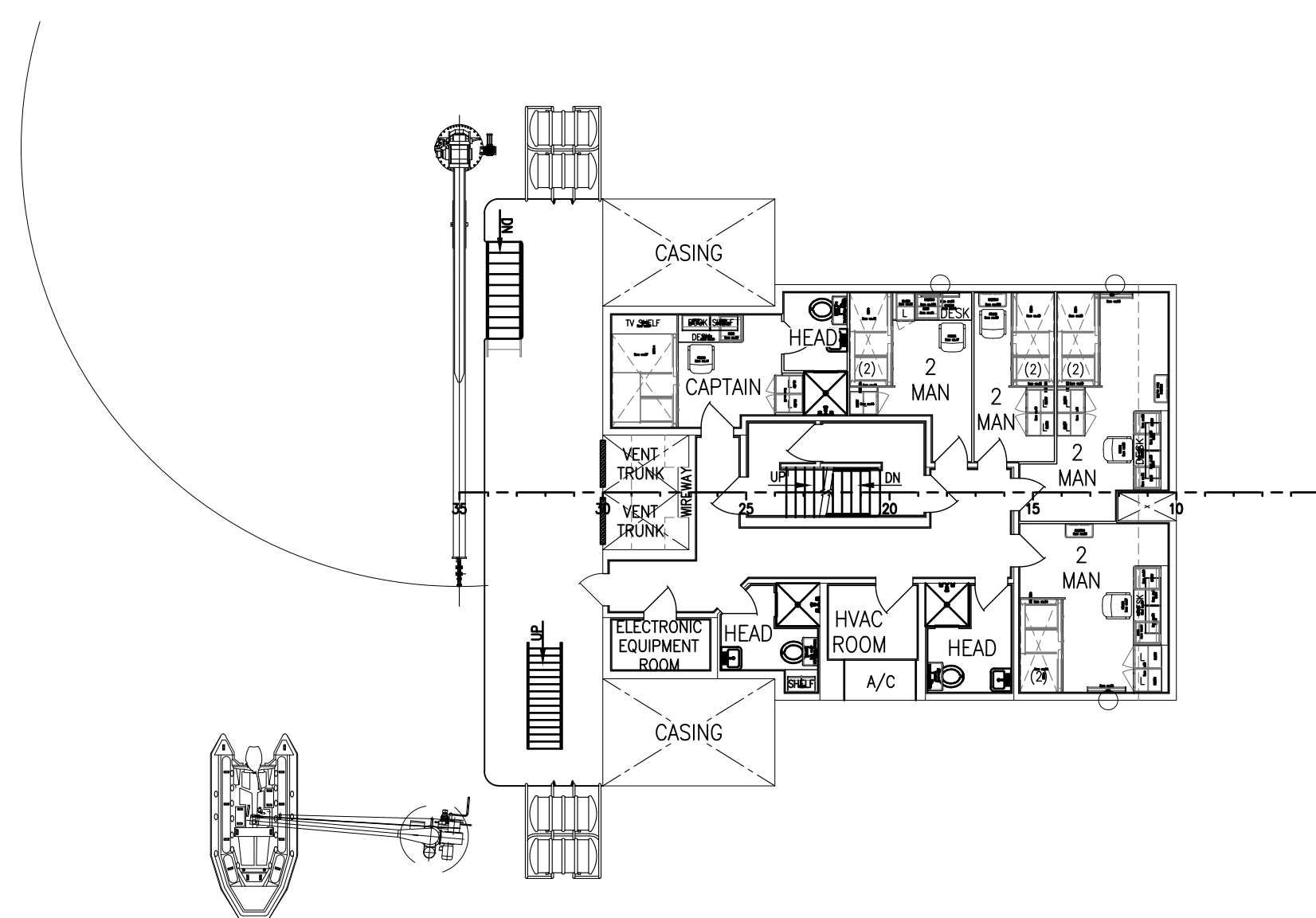
03 DECK - BRIDGE PLAN
51'-5" ABL



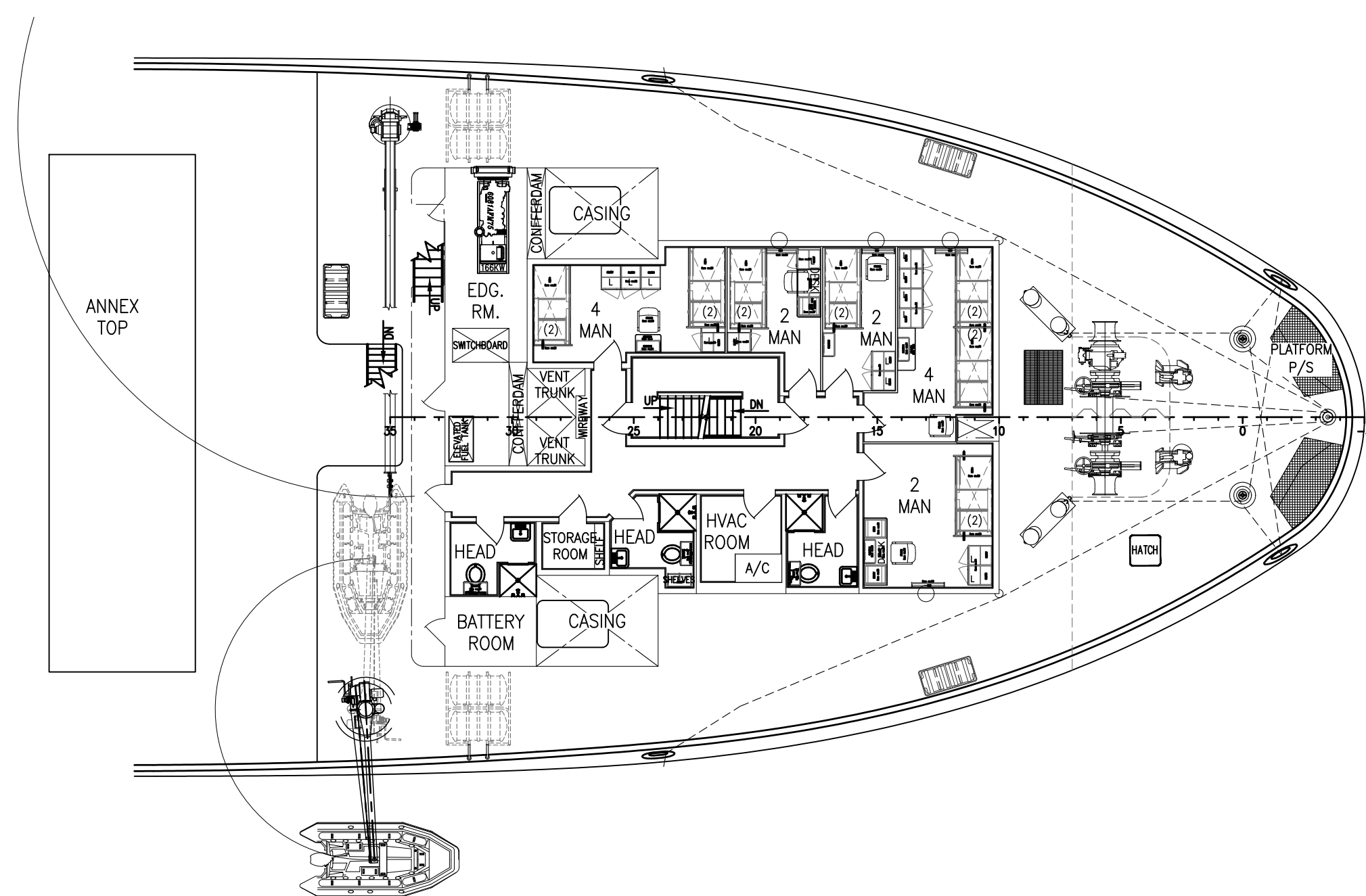
04 DECK - PILOT HOUSE TOP PLAN
60'-6" ABL



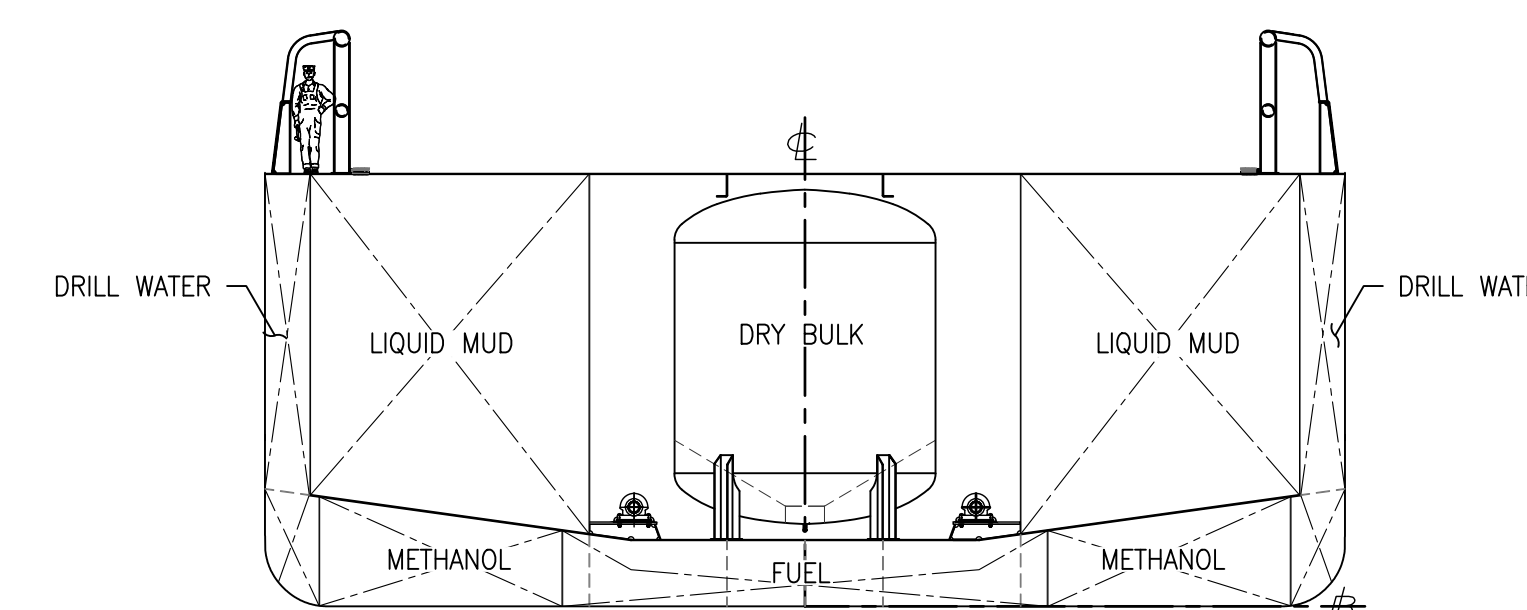
FRONT VIEW
BOW SHOWN, LKG AFT




02 DECK PLAN
42'-6" ABL



01 DECK PLAN
31'-2" ABL



CARGO SECTION
FR60 LKG FWD

	<small>THIS DRAWING, DESIGN CONCEPT AND SPECIFICATIONS ARE THE PROPERTY OF HORNBECK OFFSHORE SERVICES AND ARE FURNISHED ON A CONFIDENTIAL BASIS WITH AN EXPRESSED UNDERSTANDING THAT THEY WILL NOT BE COPIED IN ANY MANNER USED FOR MANUFACTURE, SOLD, TRANSFERRED, NOR USED TO THE DETRIMENT OF SAID FIRM WITHOUT WRITTEN PERMISSION.</small>			OUTBOARD PROFILE & GENERAL ARRANGEMENT SIZE D
	TASK No.	DRAWING No.	SCALE: 3/32" = 1'-0"	
	8122	1.001	DATE: 06/18/24	
HORNBECK OFFSHORE SERVICES		SY: NAS	SHEET 3 OF 3	REV. 3