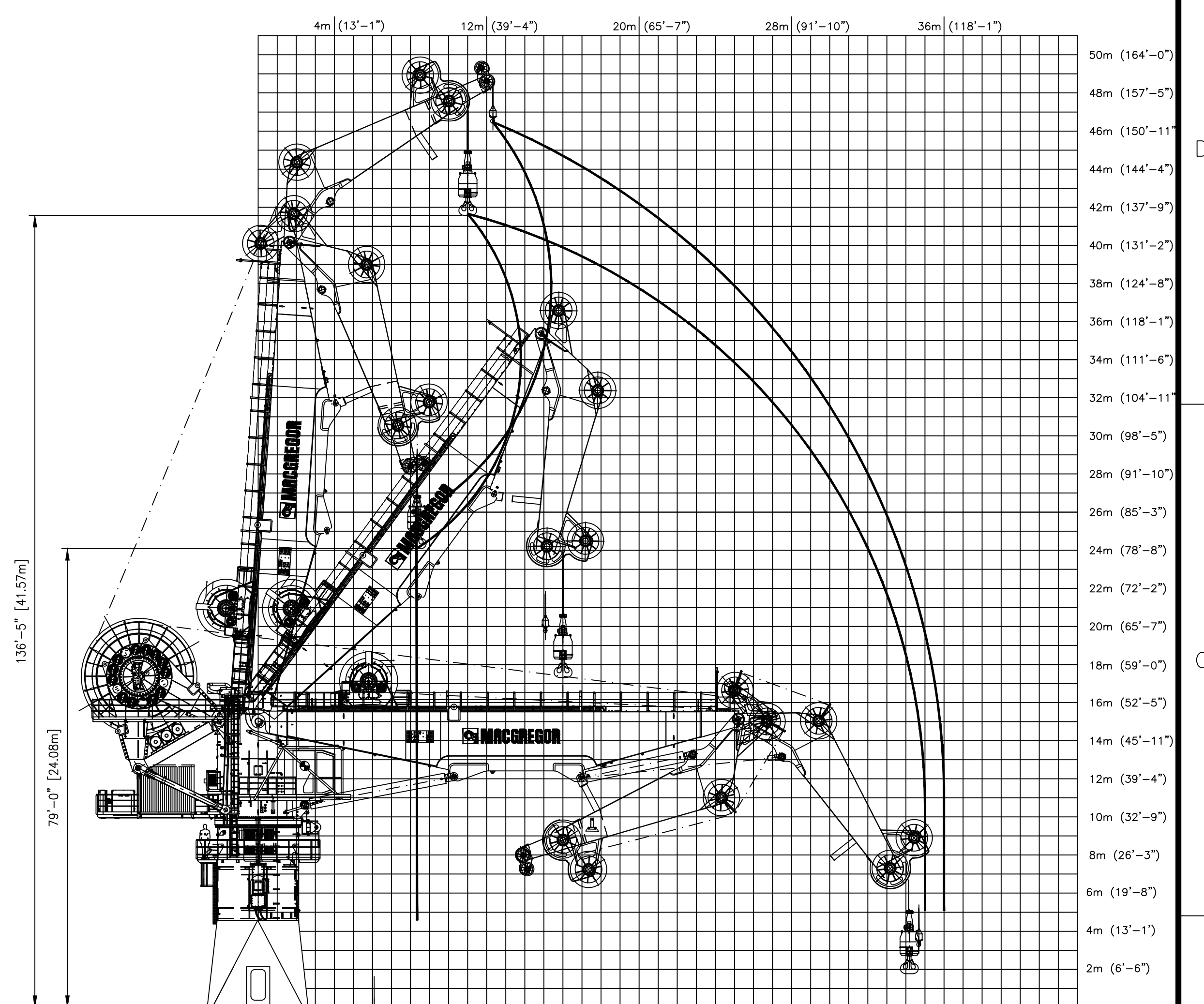
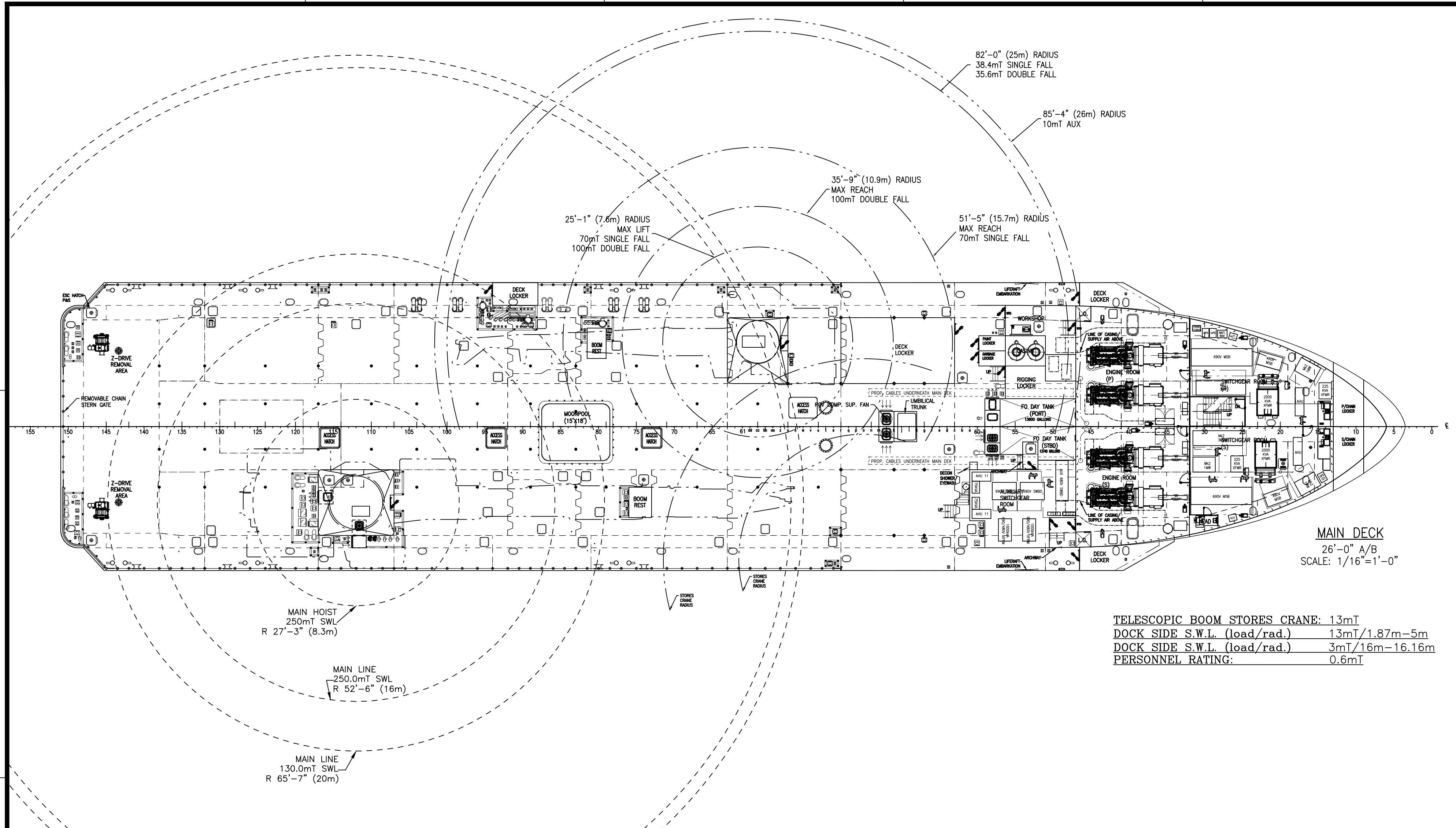
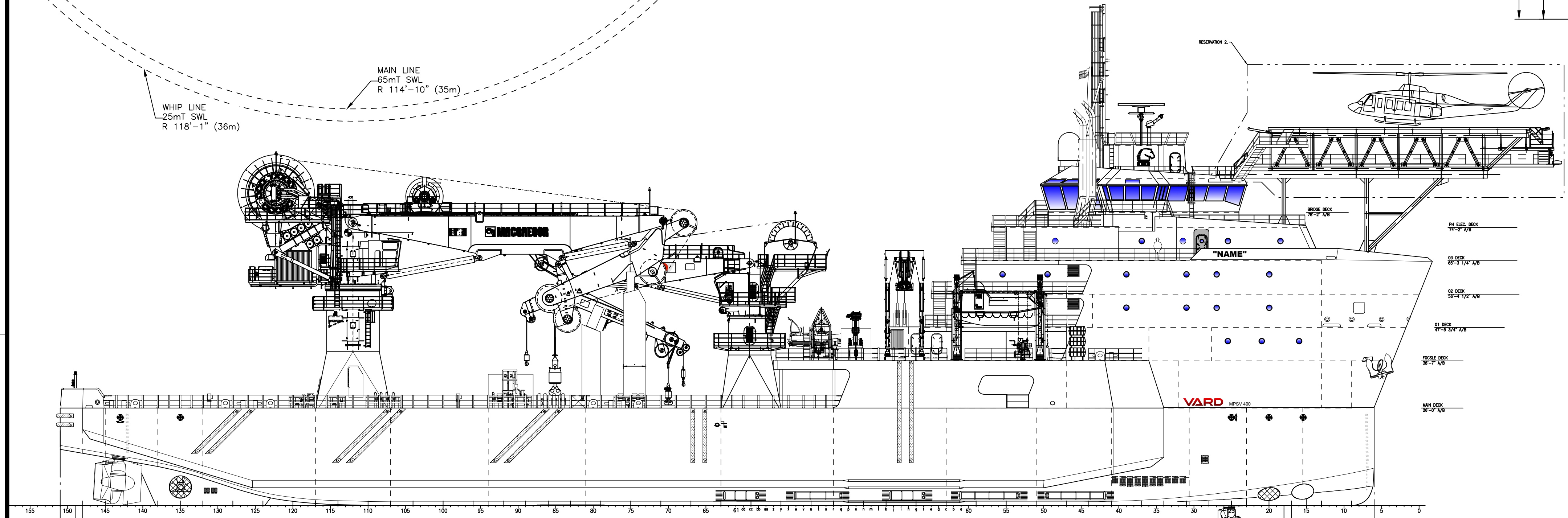


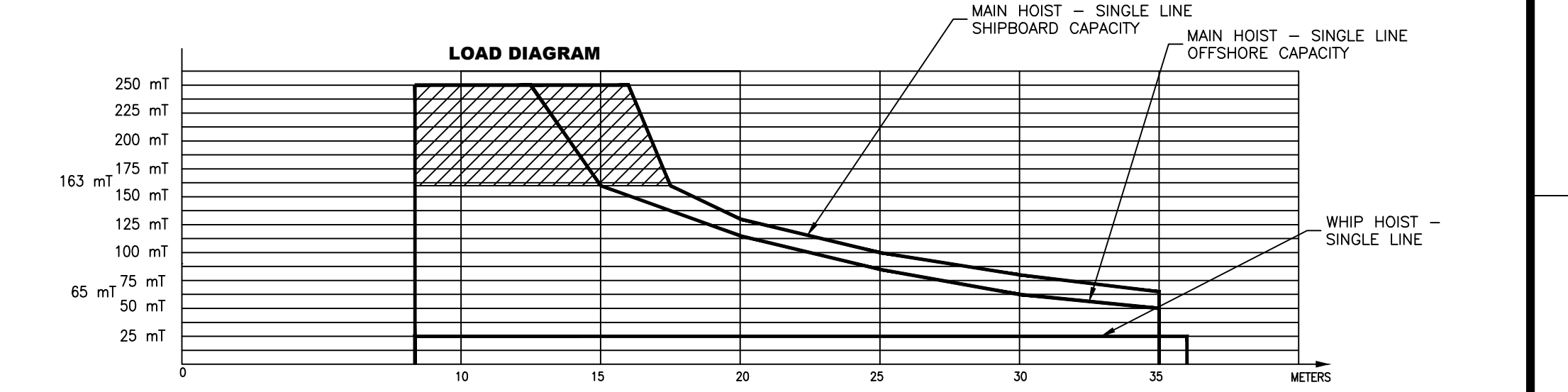
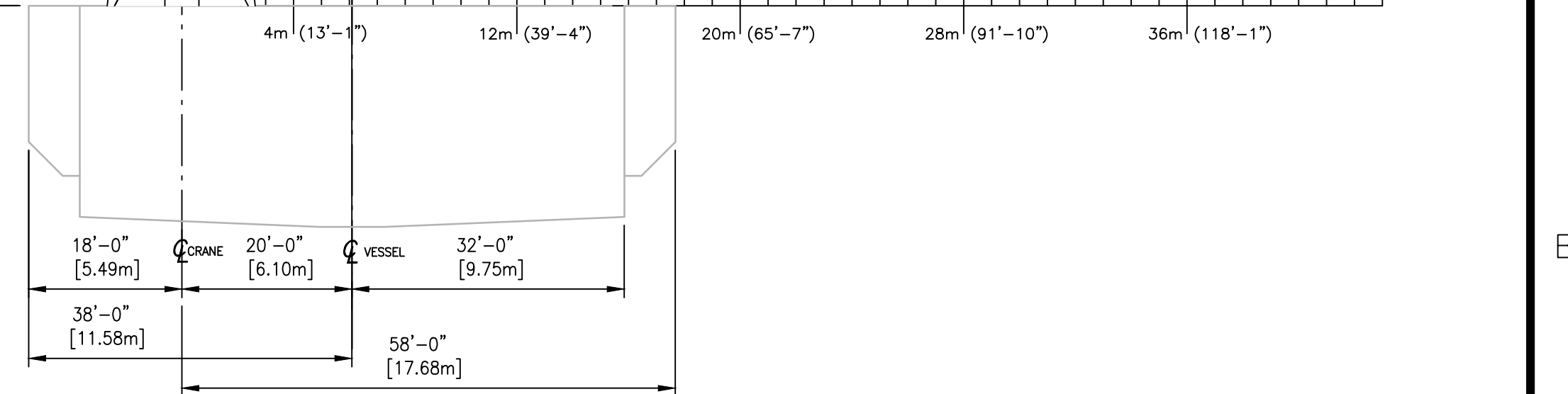
REVISIONS			
REV	DESCRIPTION	BY	DATE



TELESCOPIC BOOM STORES CRANE: 13mT
 DOCK SIDE S.W.L. (load/rad.) 13mT/1.87m-5m
 DOCK SIDE S.W.L. (load/rad.) 3mT/16m-16.16m
 PERSONNEL RATING: 0.6mT



OUTBOARD PROFILE
 STBD VIEW
 SCALE: 1/16"=1'-0"



KNUCKLE ROOM CRANE: 250mT AHC
 MAIN HOIST
 S.W.L. (load/rad./speed) 250mT/8.3-16m/20m/min
 S.W.L. (load/rad./speed) 65mT/35m/80m/min

WATER DEPTH (METERS)	LOAD (SWL AT WD)
1000	207.4mT
2000	164.7mT
3000	122.1mT
3700	92.3mT

WHIP HOIST
 S.W.L. (load/rad./speed) 25mT/8.3m-36m/120m/min
 WIRE LENGTH 3,700m
 PERSONNEL RATING: 11mT/8.3m-31m

WATER DEPTH (METERS)	LOAD (SWL AT WD)
3700	4.56mT

HORNBECK OFFSHORE SERVICES

THIS DRAWING, DESIGN CONCEPT AND SPECIFICATIONS ARE THE PROPERTY OF HORNBECK OFFSHORE SERVICES AND ARE FURNISHED ON A CONFIDENTIAL BASIS WITH AN EXPRESSED UNDERSTANDING THAT THEY WILL NOT BE COPIED, IN ANY MANNER USED FOR MANUFACTURE, SOLD, TRANSFERRED, NOR USED TO THE DETRIMENT OF SAID FIRM WITHOUT WRITTEN PERMISSION.

DRAWN BY: JG	365'-6" X 76'-0" X 26'-0"		
CHK'D BY: PL	CRANE AND LIFTING ARRANGEMENT		
APP'D. BY: PL	SCALE: N.T.S.	DATE: 3-23-17	REV. #
TASK #	DRAWING # 6.805	HULL # GIS-369	P4
		SHEET 1 OF 2	